

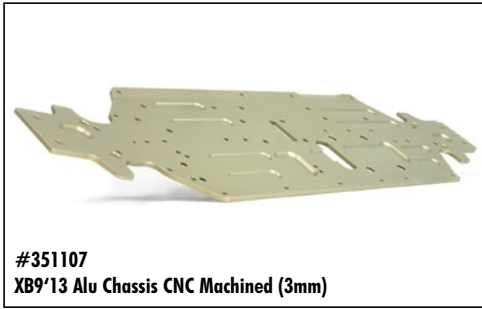
# XRAY XB9

## INSTRUCTION MANUAL SUPPLEMENTARY SHEET

Use this XB9 2013 Supplementary Instruction Sheet along with the standard XB9 Instruction Manual.

### New and Improved Parts

All of these parts are new or updated from the previous versions.



#351107  
XB9'13 Alu Chassis CNC Machined (3mm)



#351156  
XB9'13 Composite Chassis Side Guards L+R



#352095  
XB9'13 Graphite Front Shock Tower 4.0mm



#352215  
XB9 Composite 2-Hole Caster Block 16° Right



#352225  
XB9 Composite 2-Hole Caster Block 16° Left



#352253  
XB9 Composite Steering Block Right



#352263  
XB9 Composite Steering Block Left



#352612  
Adjustable Turnbuckle 45mm M4 L/R - HUDY Spring Steel™ (2)



#352621  
Adjustable Turnbuckle 58mm M5 L/R - HUDY Spring Steel™ (2)



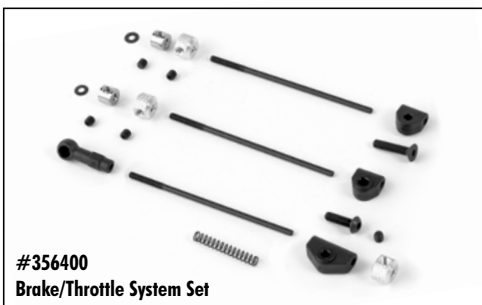
#352631  
Adj. Turnbuckle 64mm M5 L/R - HUDY Spring Steel™ - V3 (2)



#353095  
XB9'13 Graphite Rear Shock Tower 3.5mm



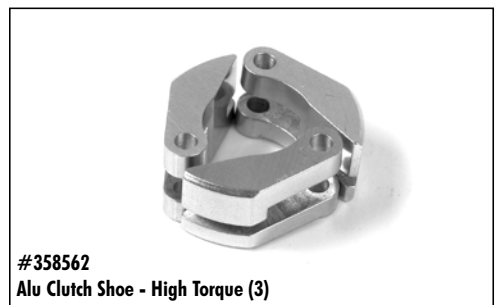
#355261  
Alu Wheel Nut - Ribbed - Hard Coated (2)



#358400  
Brake/Throttle System Set



#358532  
Alu Flywheel - High Torque



#358562  
Alu Clutch Shoe - High Torque (3)



#358587  
High Torque Clutch Springs - Gold - Soft (3)



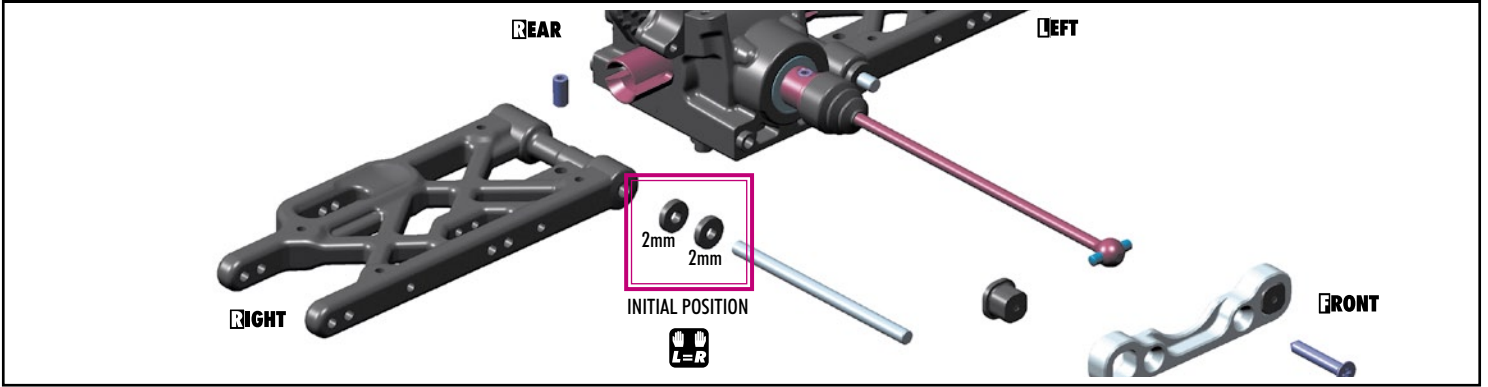
#358604  
Fuel Tank 123ccm with Floating Filter



#358731  
XB9 Exhaust Mounting Wire - Long

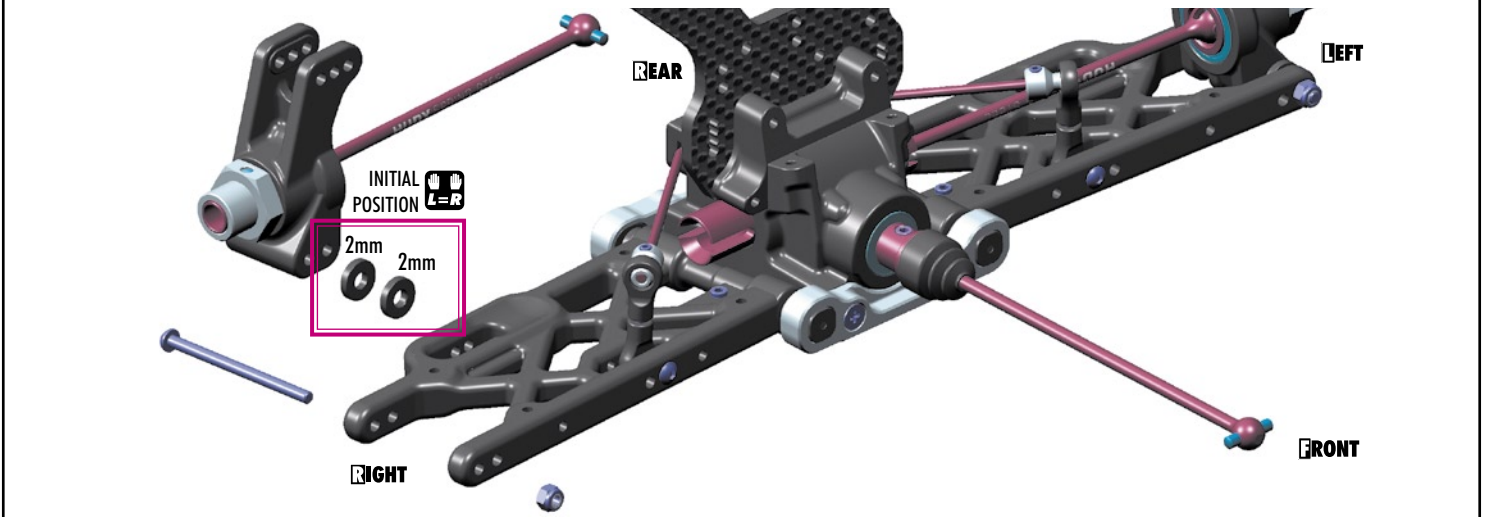
### 3. REAR SUSPENSION

Page 13 / Step 1



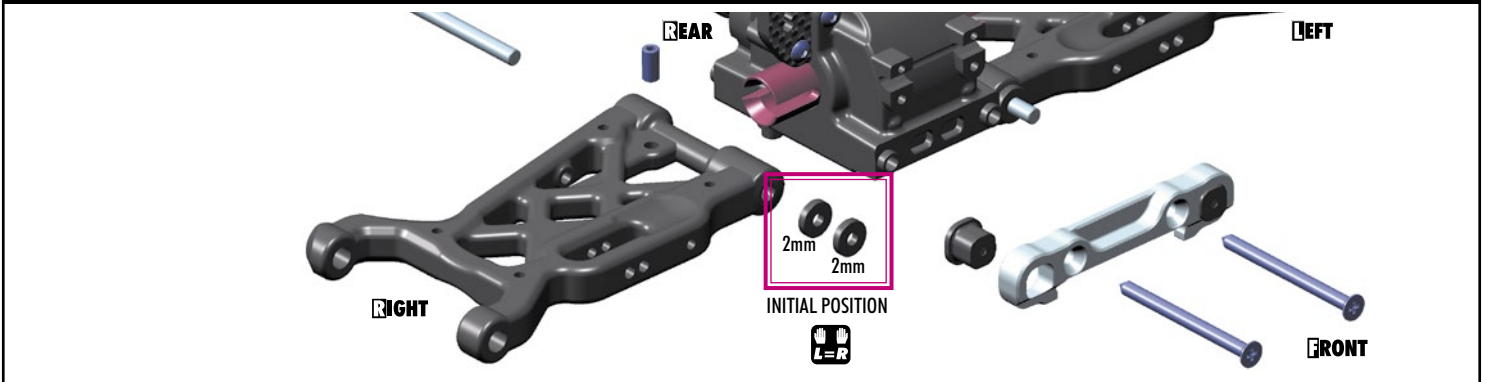
### 4. REAR SUSPENSION

Page 15 / Step 2



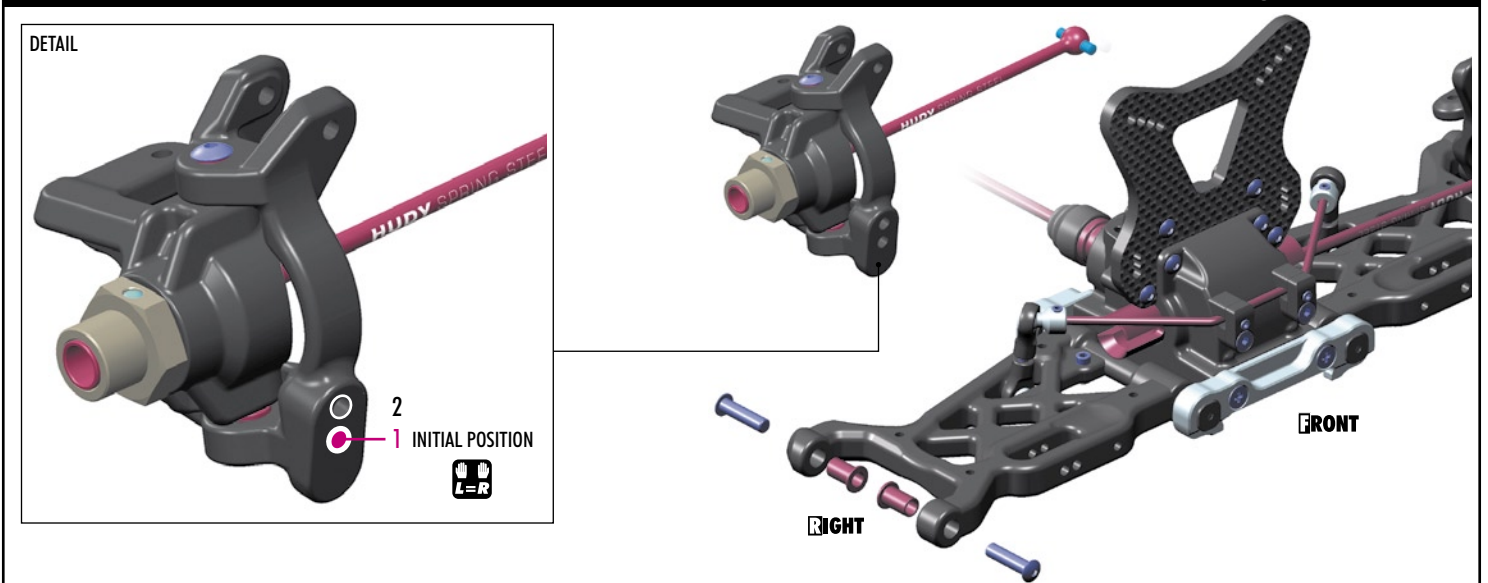
### 5. FRONT SUSPENSION

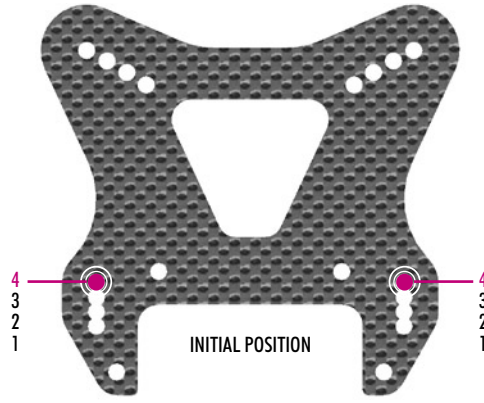
Page 18 / Step 1



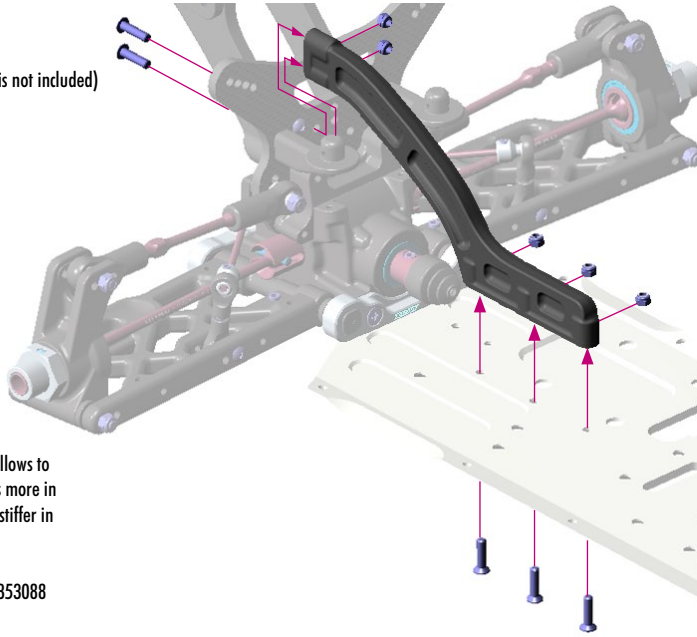
### 6. FRONT SUSPENSION

Page 21 / Step 1



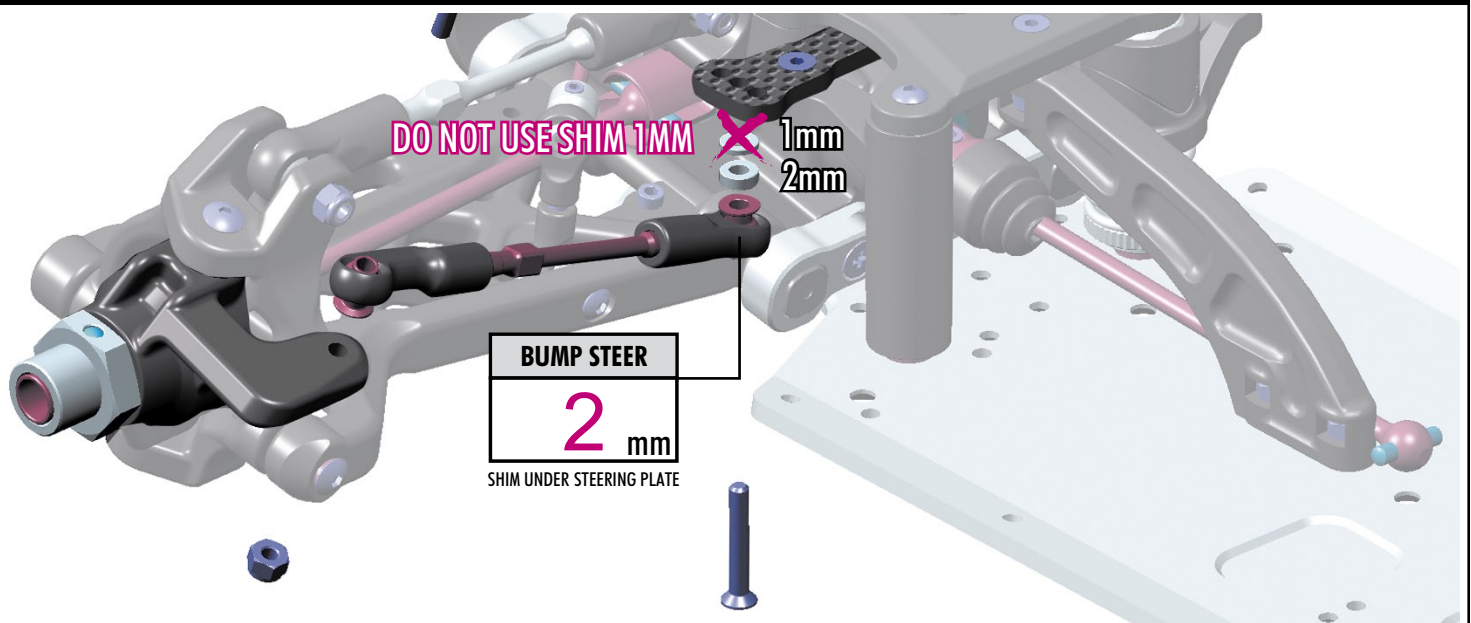


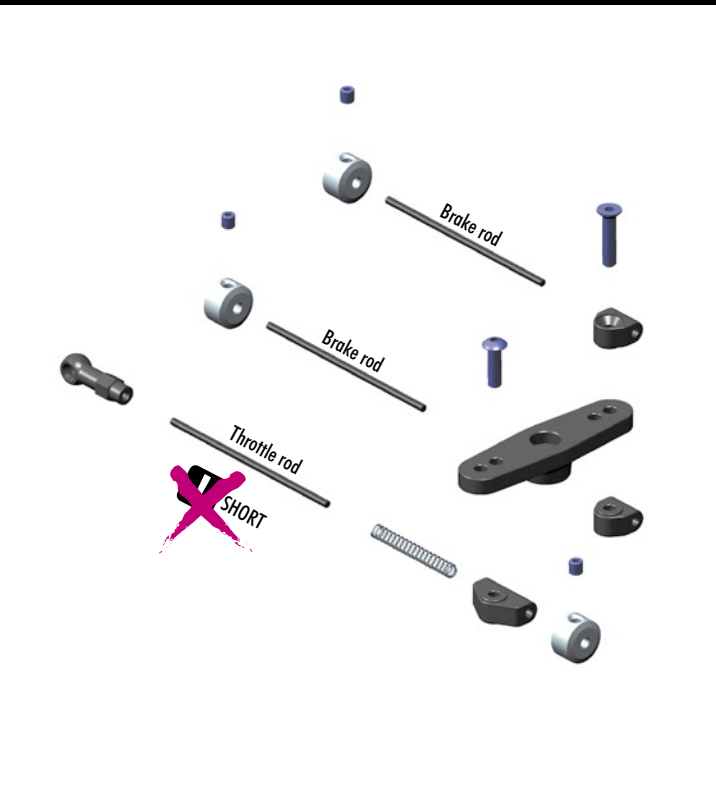
ALTERNATIVE 2  
 (#353089 Rear Brace - Long is not included)



Longer rear brace #353089 allows to flex the rear part of the chassis more in cross direction, while makes it stiffer in longitudinal direction.

The standard shorter brace #353088 has exactly opposite effect.





**WARNING !**

Ensure that the floating filter moves up and down freely inside the fuel tank. In case the filter does not move free push the tubing more into the fuel tank and check again.

